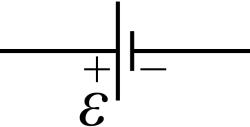
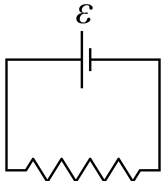
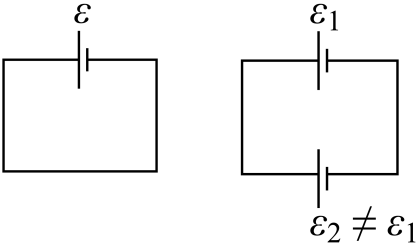

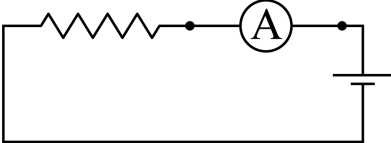
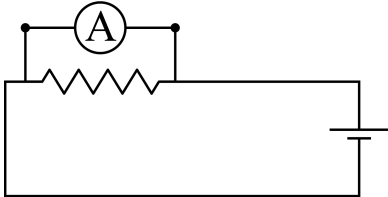



Laboratory precautions and measurements for DC circuits

Name, icon, and properties	OK	Not OK (dangerous and/or useless)
<p>Battery (power supply in constant voltage mode)</p>  <p>Maintains rated potential difference between terminals Negligible resistance (unless internal resistance mentioned)</p>		
<p>Ammeter</p>  <p>Measures current through terminals Negligible resistance</p>		
<p>Voltmeter</p>  <p>Measures potential difference between terminals Very large resistance</p>	